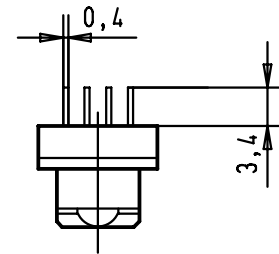
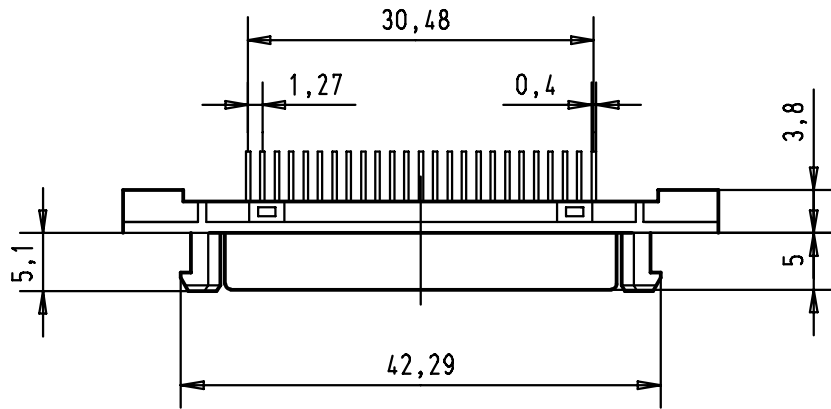
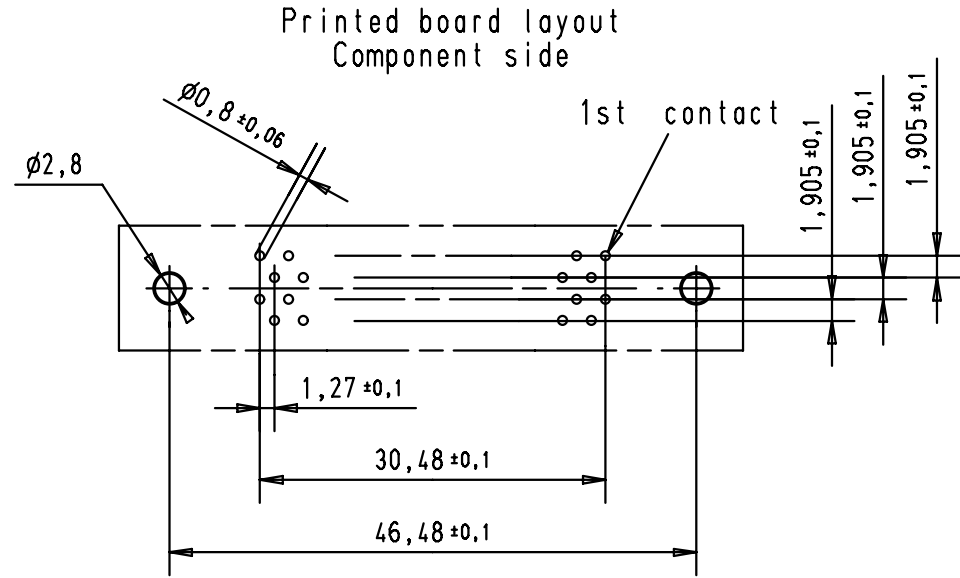
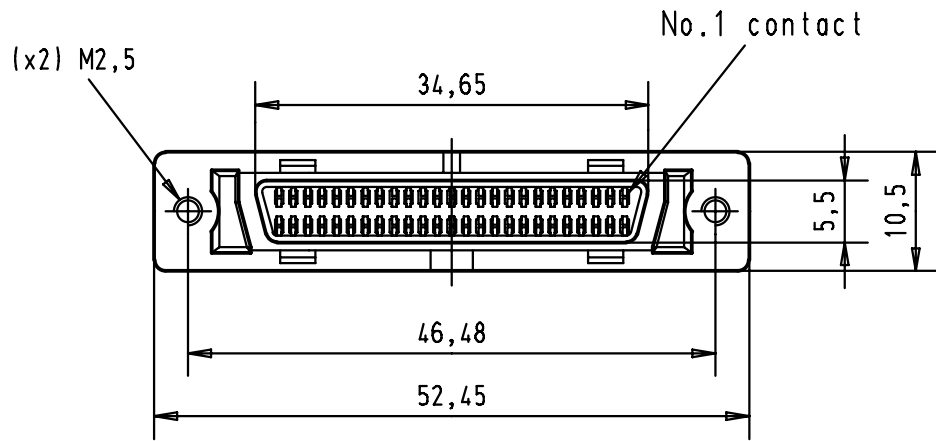




5 4 3 2 1



D
C
B
A

						 All Dim. in mm Orig. Size DIN A 4	har.mik [®] I/O pin/socket Female connector 50 poles with straight solder pins and fixed latching	Maßstab/ Scale 1,5:1	
			Detail.	30-AUG-00	JB				
			Insp.						
			Stand.						
			27941	30-AUG-00	JB	HARTING EURL F-95972 Paris		TB 60 01 050 5102 Sub.	Blatt/ Page 1 / 1
			Mod.	30-AUG-00	JB				